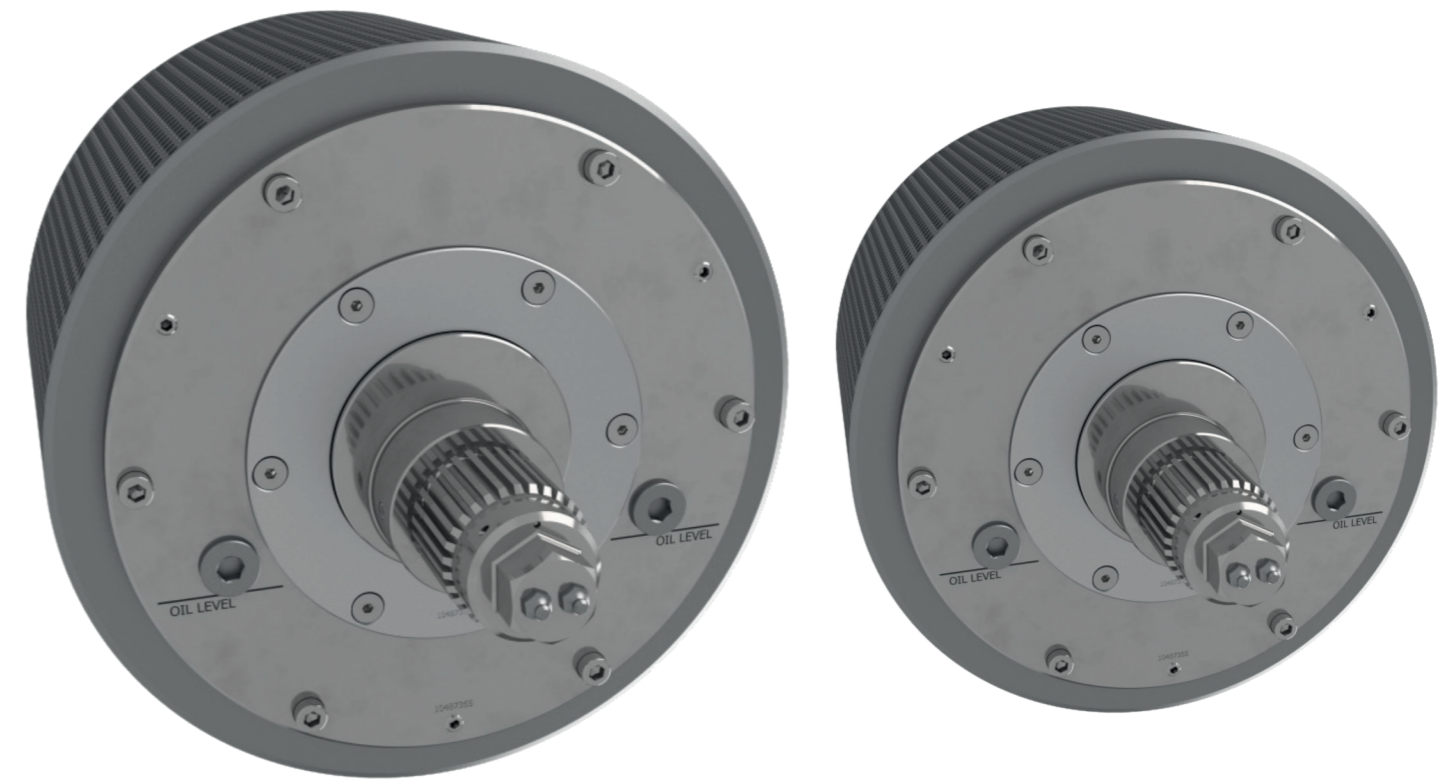


CPM Europe.  
Genuine wear parts  
and spare part



CPM Europe.  
Lube4Life roller assemblies

Simpler & Cleaner



Save  
600kg grease  
per year



GLOBAL PARTNER  
SINCE 1883



Where energy efficient and hygienic feed solutions go hand in hand towards a more sustainable and environmentally friendly industry.



CPM EUROPE BV

Rijder 2  
1507 DN Zaandam  
The Netherlands

+31 75 65 12 611

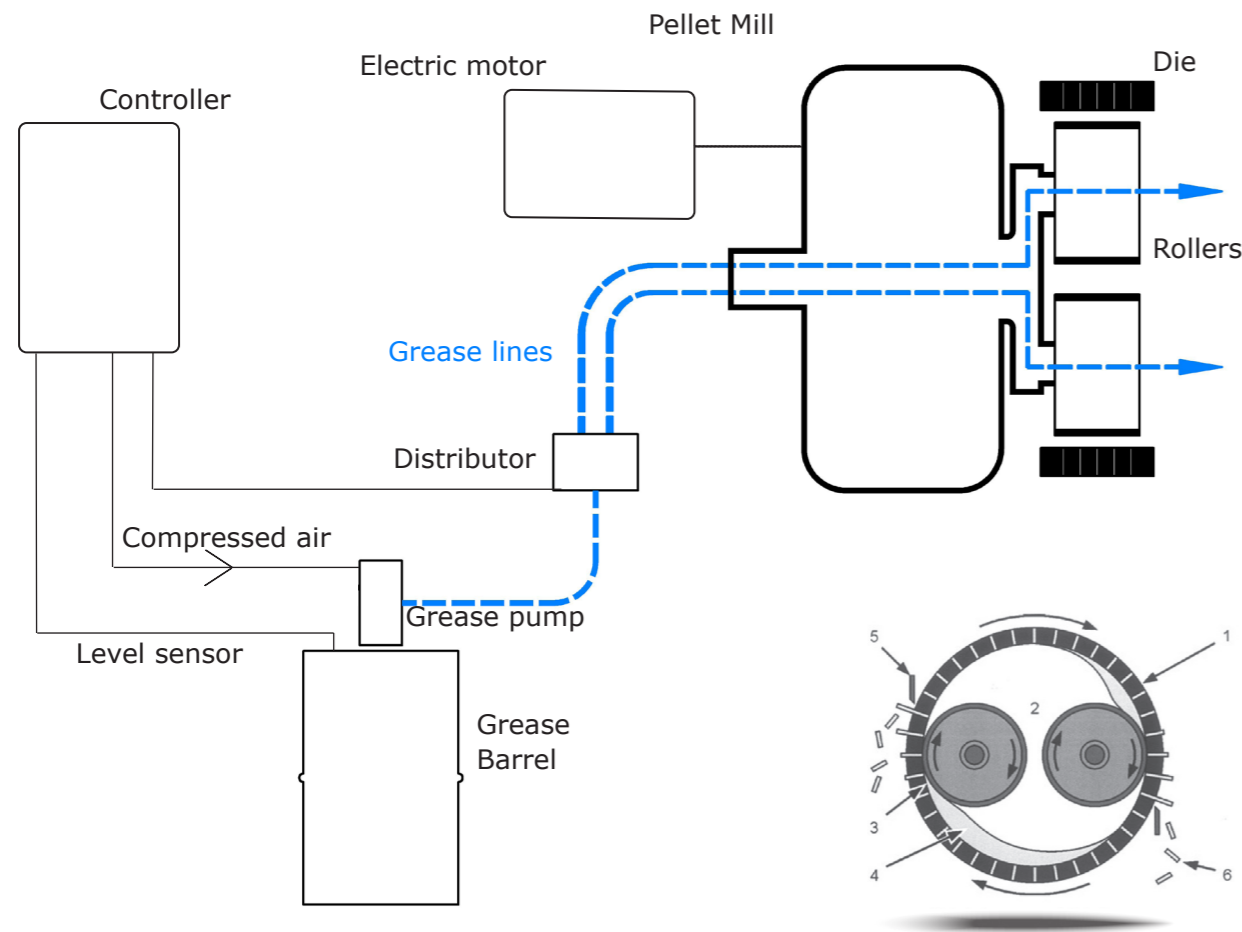
Info@cpmeurope.nl  
www.cpmeurope.nl

CPM Europe. Your Partner in Productivity

CPM Europe. Your partner in productivity

# The new standard for Pellet Mills: Lube4Life roller assemblies

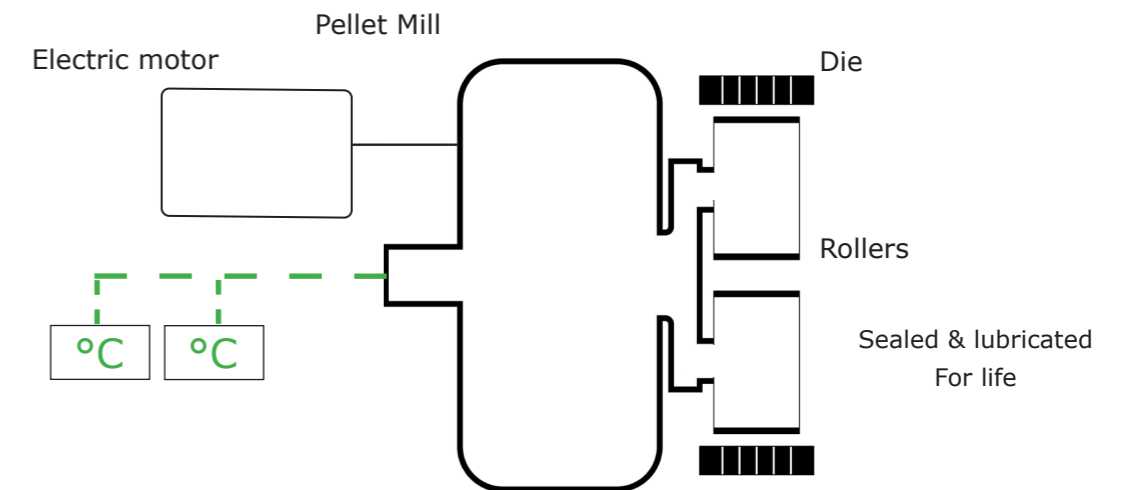
## Conventional Greasing



### Current practice:

- Numerous grease barrels exchanges per year
- Costly food grade grease usage
- Contamination-prone
- Grease contamination of product
- Requires regular maintenance storage and handling of grease barrels
- Dirty hands

## CPM Lube4Life technology



### Additional feature:

- PT100 signal sensor for process monitoring

### Benefits:

- Elimination of automatic greasing system
- Save 600kg grease per year
- No grease contamination
- Enhanced service life of bearings
- Environmental friendly
- Easy retro-fit
- Food grade

**Award-winning  
innovation**