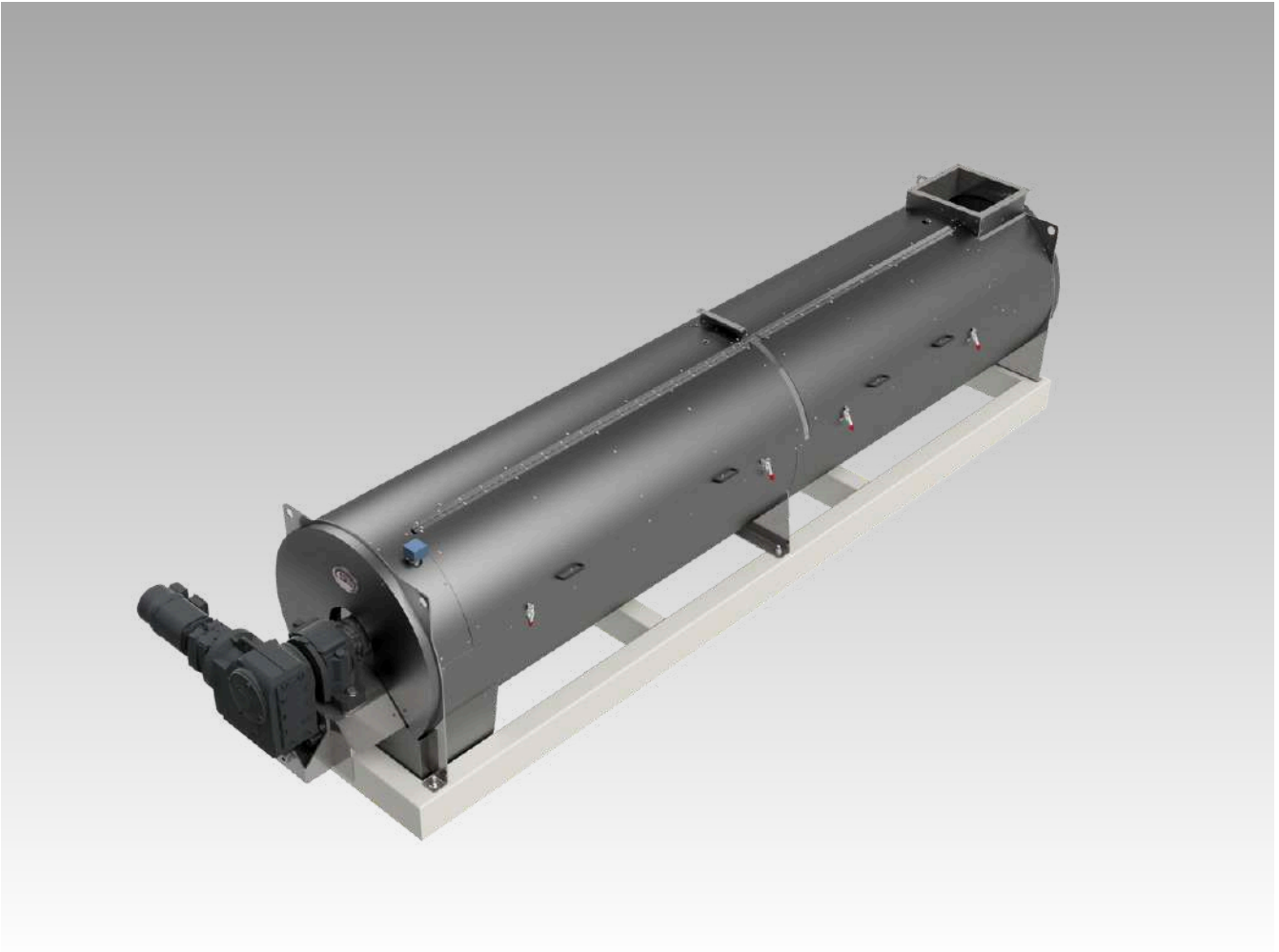




Trusted Food Processing  
**for a Well-Fed World.**

ONECPM.COM



## CPM Hygieniser

Heat treatment for  
hygienic feed

### Many applications

- Poultry feed
- Pig feed
- Fish meal
- Ruminant feed

INFO@CPM.NET

# CPM Hygieniser

## Features



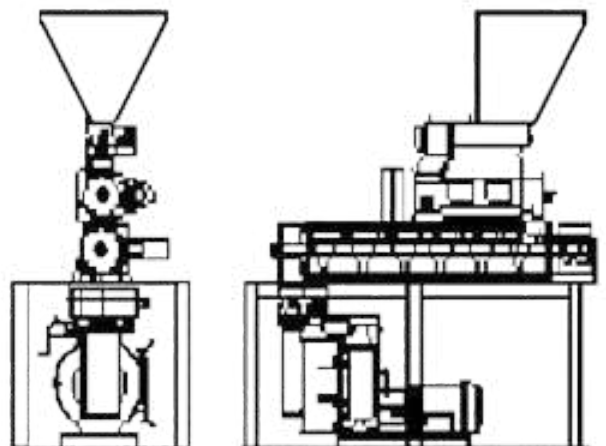
### PRESS FEEDER

- Variable speed
- Uniform flow of meal into pellet mill
- Low profile design
- 3.0 HP (2.2kW) gear drive



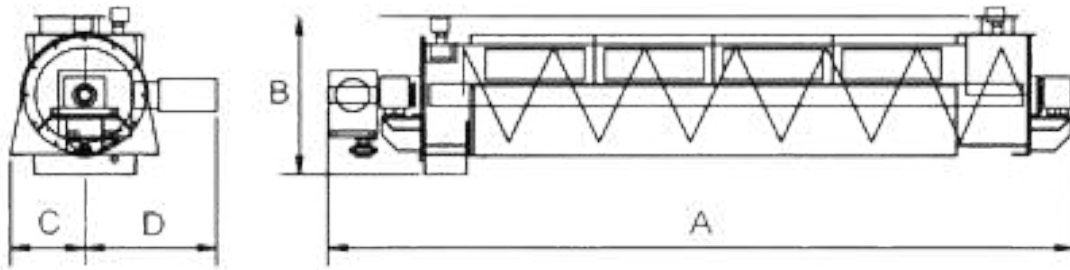
### Features

- Salmonella control
- First in first out (FIFO)
- Longer retention times
- Self-cleaning—no buildup
- Improved pellet quality
- Low energy consumption
- Installs in existing locations
- Increased die and roll life
- Excellent conditioning
- Flexible temperature and retention times
- Steam jacketed
- Insulated barrel



# CPM Hygieniser

## Models/Dimensions



Model	A	B	C	D
<b>24LLJ12ST</b>	180" (4520mm)	39" (995mm)	18" (450mm)	32" (800mm)
<b>36LLJ13ST</b>	195" (4950mm)	54" (1375mm)	27" (675mm)	32" (800mm)
<b>48LLJ13ST</b>	246" (6110mm)	61" (1552mm)	30" (754mm)	N/A
<b>48LLJ16ST</b>	276" (7021mm)	61" (1552mm)	30" (754mm)	N/A

\*Dimensions and specifications are approximate and subject to change.



# CPM Hygieniser

## Dimensions and Capacities

### TECHNICAL SPECIFICATIONS

Model	Internal Diameter	Drive Capacity HP (kW)	Shaft Speed (rpm)	Steam-Jacket Pressure Max PSI (Bar)	Steam Jacket Use lbs/h (kg/h)	Weight lbs (Kg)
<b>24LLJ12ST</b>	24" (630mm)	3.0 (2.2)	0-6	100 (6.9)	440 (200)	3960 (1800)
<b>36LLJ13ST</b>	36" (930mm)	4.0 (3.0)	0-6	100 (6.9)	660 (300)	5940 (2700)
<b>48LLJ13ST</b>	48" (1220mm)	5.0 (3.8)	0-6	100 (6.9)	950 (430)	8800 (4000)
<b>48LLJ16ST</b>	48" (1220mm)	5.0 (3.8)	0-6	100 (6.9)	1200 (545)	9680 (4400)

\*Dimensions and specifications are approximate and subject to change.

### CAPACITY TPH

Model	Minutes				
	2	3	4	5	6
<b>24LLJ12ST</b>	15.0	10.0	7.5	6.0	5.0
<b>36LLJ13ST</b>	30.0	20.0	15.0	12.0	10.0
<b>48LLJ13ST</b>	60.0	40.0	30.0	25.0	20.0
<b>48LLJ16ST</b>	80.0	50.0	40.0	30.0	25.0

\*Based on 80% fill rate and 40 lbs/ft<sup>3</sup> product density.



From the food you eat to the fuels you require, CPM plays an important role in building a better world. Our experienced team and family of trusted brands are working together to make our planet a better place to live.

[CONTACT@ONECPM.COM](mailto:CONTACT@ONECPM.COM)  
[ONECPM.COM](http://ONECPM.COM)